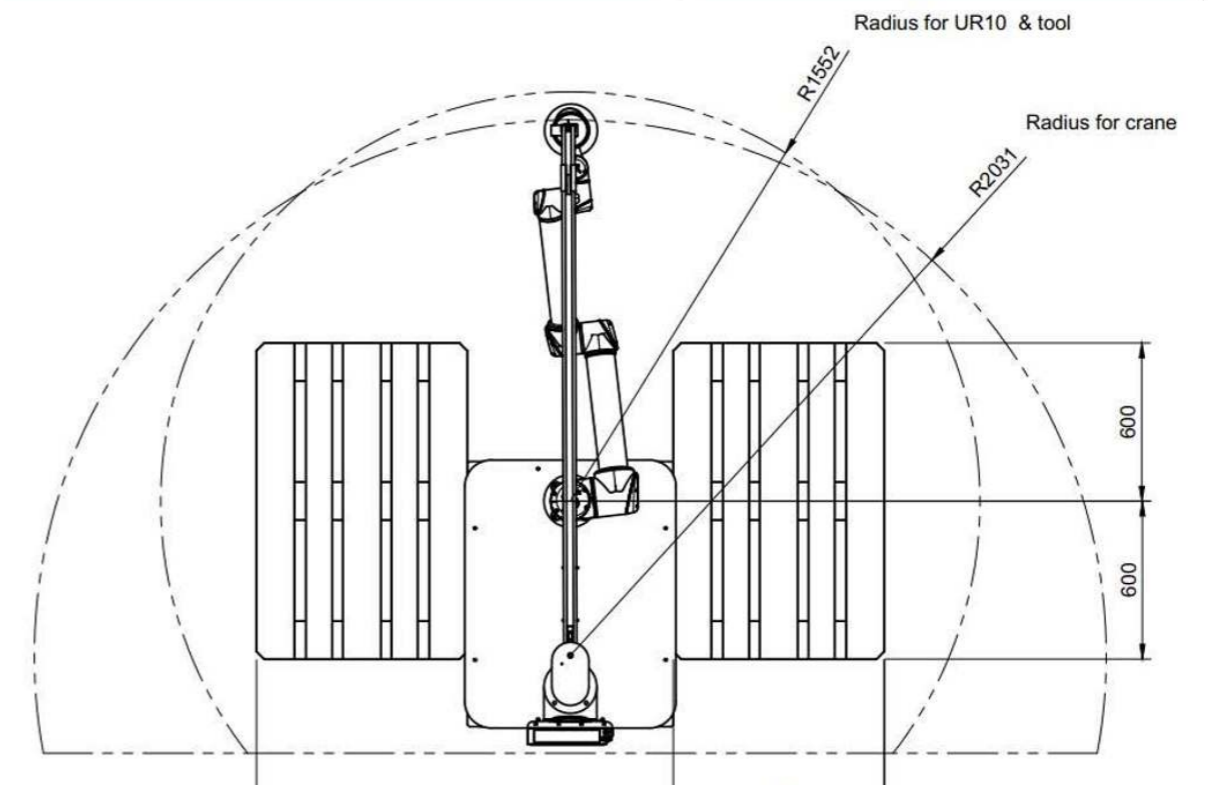
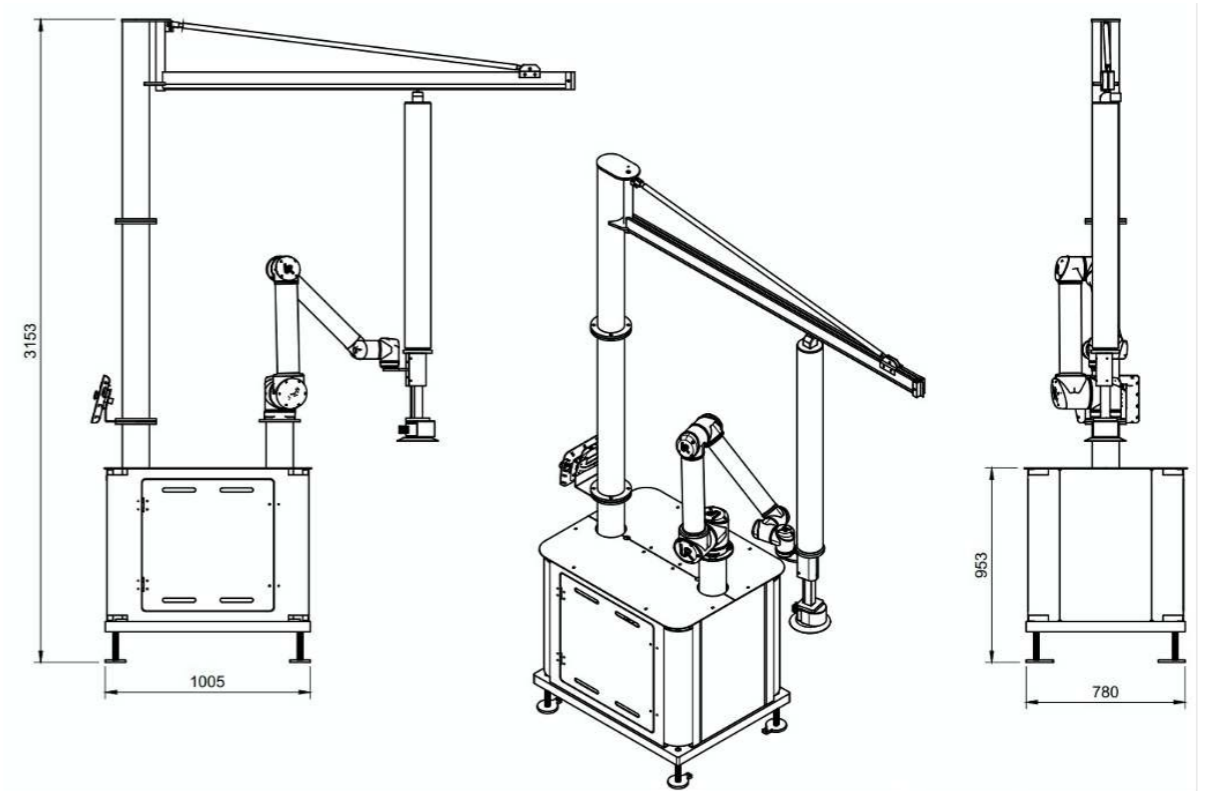


Mobile Cobot Lift Data Sheet



**Cobot Lift ApS | Industrivej 6 | 4200 Slagelse
+45 22 20 53 65 | CVR 39510693 | info@cobotlift.com**

Technical Details for Cobot Lift



**Powerful
Intelligent
Flexible**

Payload	5 -45kg
Weight of Complete Solution	Approx. 600 kg
Reach	Up to 1.400 mm
Degree of Freedom	4
Power Supply	380-440V/16 Amp 230V/16 Amp
Air Supply	5-8 bar
Stacking Height	Maximum 1.600 mm (depending on product and reach)
Robot Position Height	Approximately 120 cm
Dimensions – complete solution with Cobot Lift, vacuum tube lift and UR arm	Footprint (80x100 cm) Height of crane (3,2 meter)
Certifications and Standards	Declaration of Incorporation Directive 2006/42 EC, Annex II B
Collaborative Robot, Compatibility	UR10CB3 or e-series
Software Version Required	Cobot Lift URCap in Polyscope
Programming	Cobot Lift URCap in Polyscope
Vacuum Tube Lifter	Approximately 120 mm vacuum tube and 3KW vacuum pump
Main Material	Steel
Accessories	Suction foot for sacks Suction cup for boxes and buckets Quick connector for end effector